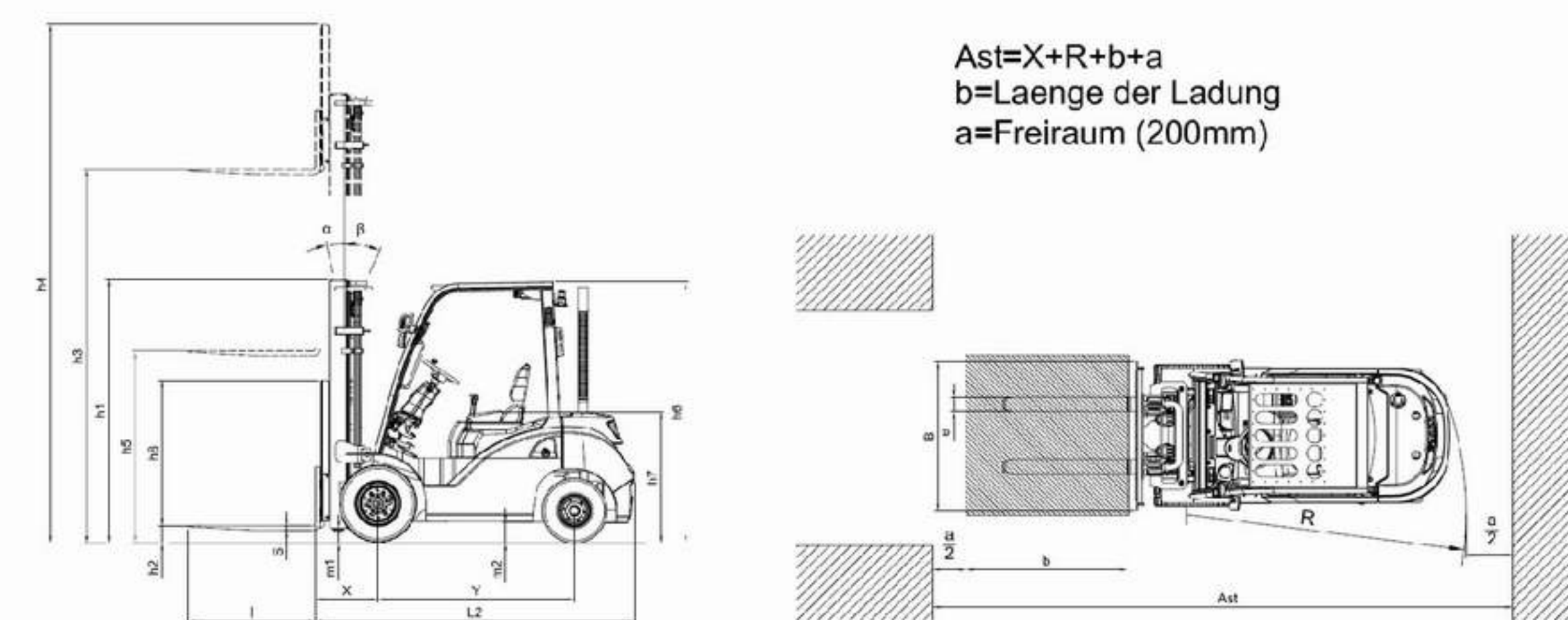


SPECIFICATIONS

CHARACTERISTICS	1	Manufacturer			Tailift	Tailift	Tailift	Tailift				
	2	Model			FD20	FG20	FD 25	FG25	FD30	FG30	FD35	FG35
	3	Capacity	Q	Load	kg	2000	2500	3000	3500			
	4	Load center	C	Distance	mm	500	500	500	500			
	5	Power type		Electric · Diesel · Gasoline · LPG		Diesel	Gasoline	Diesel	Gasoline	Diesel	Gasoline	
	6	Operation type		Pedestrian, Stand, Sit		Sit	Sit	Sit	Sit			
	7	Tire type		S=Solide, P=Pneumatic	front/rear	P/P	P/P	P/P	P/P			
	8	Wheels (X=driven)		Number	front/rear	2X / 2	2X / 2	2X / 2	2X / 2			
	9	Lift at 2-stage mast	h3	Lift	mm	3000	3000	3000	3000			
	10		h2	Standard free lift	mm	150	150	150	150			
	11		h5	Optional free lift	mm	1490	1490	1490	1490			
	12	Load bracket	h8	Height of load bracket	mm	1220	1220	1220	1220			
	13	Fork size		Thickness(s)×Width(e)×Length(l)	mm	40x122x1070	40x122x1070	40x122x1070	50x122x1070			
	14	Mast tilting angle		Forward(α) / Back(β)	deg	6°/12°	6°/12°	6°/12°	6°/12°			
	15	Overall dimensions	L2	Length to face of forks	mm	2700	2700	2770	2960			
	16		B	Total width(std/wide tread)	mm	1160	1160	1270	1270			
	17		H1	Mast height lowered	mm	2075	2075	2075	2075			
	18		H4	Mast height extended	mm	4295	4295	4295	4295			
	19		H6	Overhead guard height	mm	2180	2180	2210	2210			
	20	H7	Seat Height	mm	1120	1120	1180	1180				
	21	Turning radius	R		mm	2170	2170	2500	2615			
	22	Load distance	X	From center of front axle	mm	500	500	510	510			
	23	Tire size		number		2/2	2/2	2/2	2/2			
	24		front				7.00-12-12PR	7.00-12-12PR	8.15-15-12PR	8.15-15-12PR		
	25		rear			mm	6.00-9-10PR	6.00-9-10PR	6.00-10-10PR	6.50-10-10PR		
	26	Wheelbase	Y		mm	1650	1650	1700	1850			
	27	Tread		Center of tires front	mm	1050	1050	1050	1050			
	28			Center of tires rear	mm	975	975	975	975			
	29	Ground clearance	m1	at lowest point		110	110	120	120			
	30		m2	center of wheelbase	mm	170	170	170	170			
	31	Service brake		Parking brake		Hydraulic	Hydraulic	Hydraulic	Hydraulic			
	32	Parking brake		Voltage		foot	foot	foot	foot			

Engine

Model		FD20-35		FD20-35		FG20-25	FG20-35
Manufacturer		YANMAR	ISUZU	YANMAR	ISUZU	NISSAN	NISSAN
Engine model		4TNE92	C240	4TNE98	4JG2	K21	K25
Speed	rpm	2725	2500	2725	2450	3200	3200
Output	kw	33.4	34.3	44.1	44.9	32	38



5, ZiLi 1st Rd, Nankang Ind. zone, NanKang, NanTou. Taiwan, R.O.C
 Tel : +886-49-2263800
 Fax : +886-49-2252919
 Web site: www.tailift.com
 E-mail: insales@tailift.com.tw

DOC. S/N: DEB040
 Edition:02



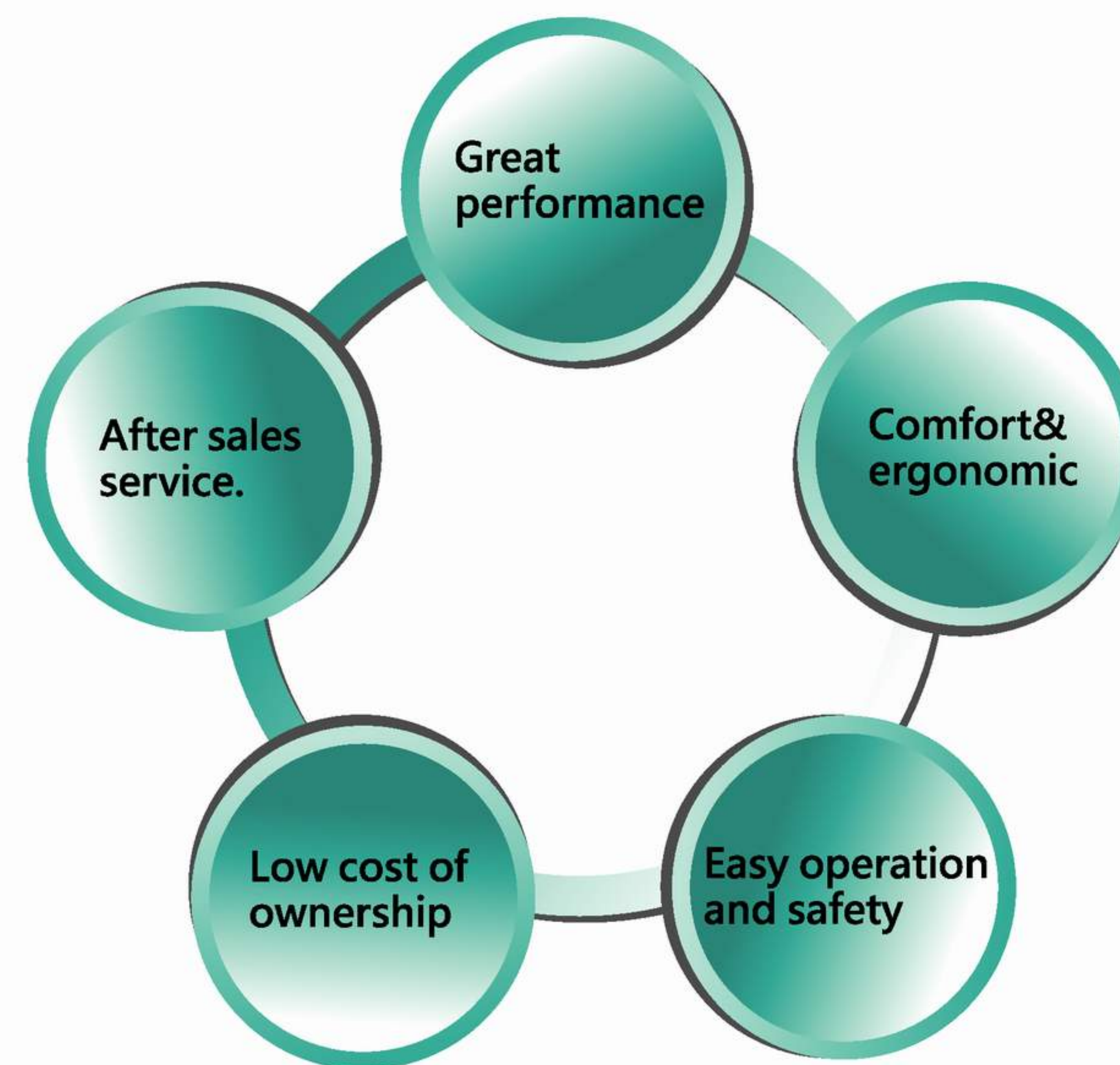
FD/FG 1.8-3.5 ton
 IC FORKLIFT TRUCKS



Tailift offer you extra value and high quality lift truck.
 Tailift lift truck is the best solution to your materials handling needs.
 Tailift all new Z series is complete new design with innovation



Tailift offer you extra value and high quality lift truck.
Tailift lift truck is the best solution to your materials handling needs.
Tailift all new Z series is complete new design with innovation.
Tailift will show you how the Z series sets new standard in 5 main areas : **great performance, comfort& ergonomic , easy operation and safety** for operator and real value for our customer through an impressively **low cost of ownership**, also committed to providing unparalleled after sales service.



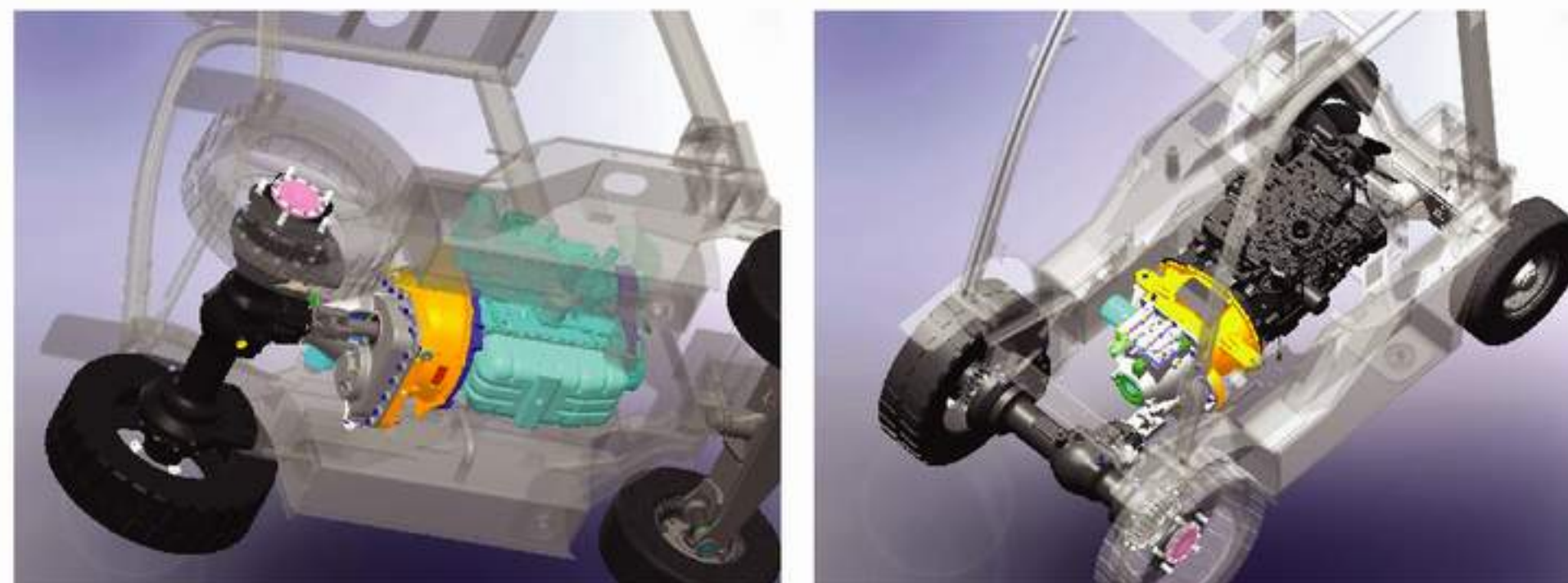
Tailift Z series forklift trucks are designed to boost performance and to increase productivity and manufactured to be the most dependable truck in today's market.



Low noise Low vibration

Standard with suspension transmission

The remarkable Suspended power train with a flexi-coupling to the drive axle is a big innovation which achieve low noise and vibration. The noise has been reducing to **79db**. The Z series enclosure body also prevents operation noise from escaping into the opening area.



High Performance and low fuel consumption engines

You can choice your engine to suit your particular application and conditions include Isuzu, Yanmar, Nissan, GM engine. All engines meet EU and EPA emission. These industry-leading engines have been applied to provide great performance, low fuel consumption, low noise, easy maintenance and low service cost.

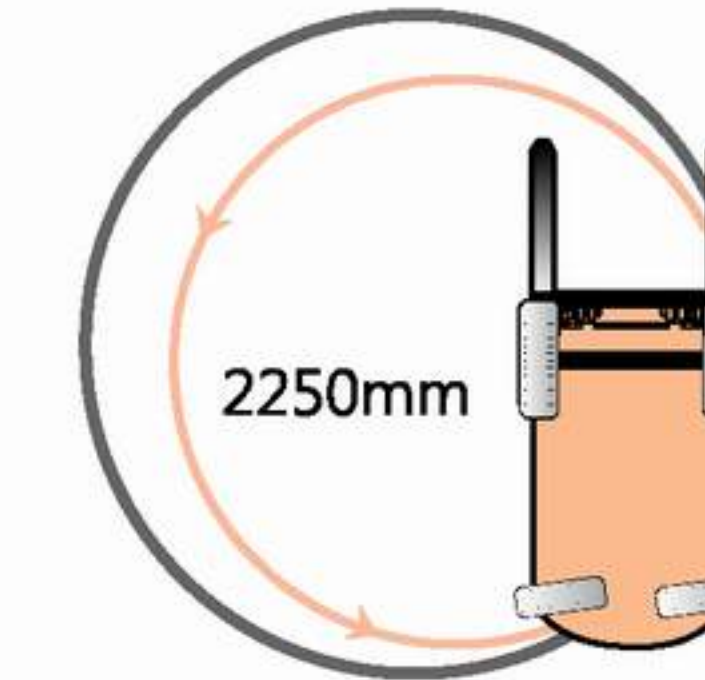
	1800kg-2000kg	2500-3500kg
Diesel Engine	Isuzu C240 Yanmar 4TNE92	Isuzu 4JG2 Yanmar 4TNE98
Gasoline Engine	Nissan K21	Nissan K25
LPG Engine	GM3.0	GM3.0



How the Z series raises your productivity

Steering

Superior turning radius and smart. The new axle provides wider steering angles to **85 degree** and reduce to a smaller turning radius. Its compact size allows the truck to work in narrower aisles.



Lifting

The faster lifting speed will reduce your working hours and lower your operation costs

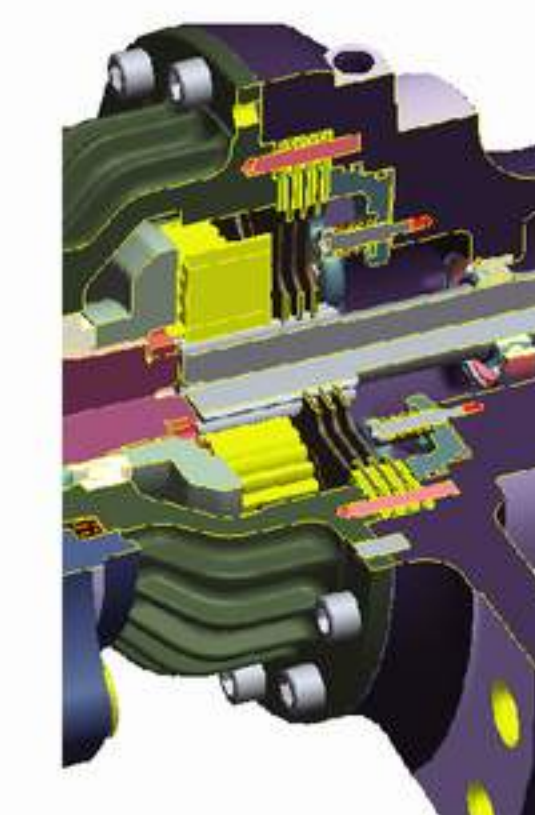
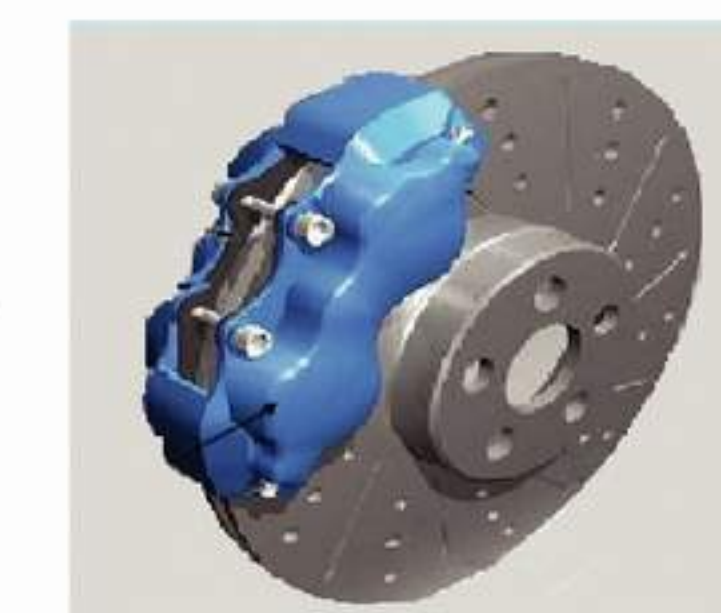


Acceleration

15% Higher Accelerating Ability. Reducing the driving time on same travel distance, increasing productivity

Braking

Using industrial oil-immersed disc brakes design, which has 3 times brake shoe durability and friction areas. longer running hours (4000~8000hours) without brake adjustment and reduce your maintenance cost.



Multi-disc clutch

The multi-disc clutch design ensures high torque capacity permitting smooth direction change. The Z series transmission have 4 pieces plates and bigger clutch pack improve frictional force and reduce wear out speed.

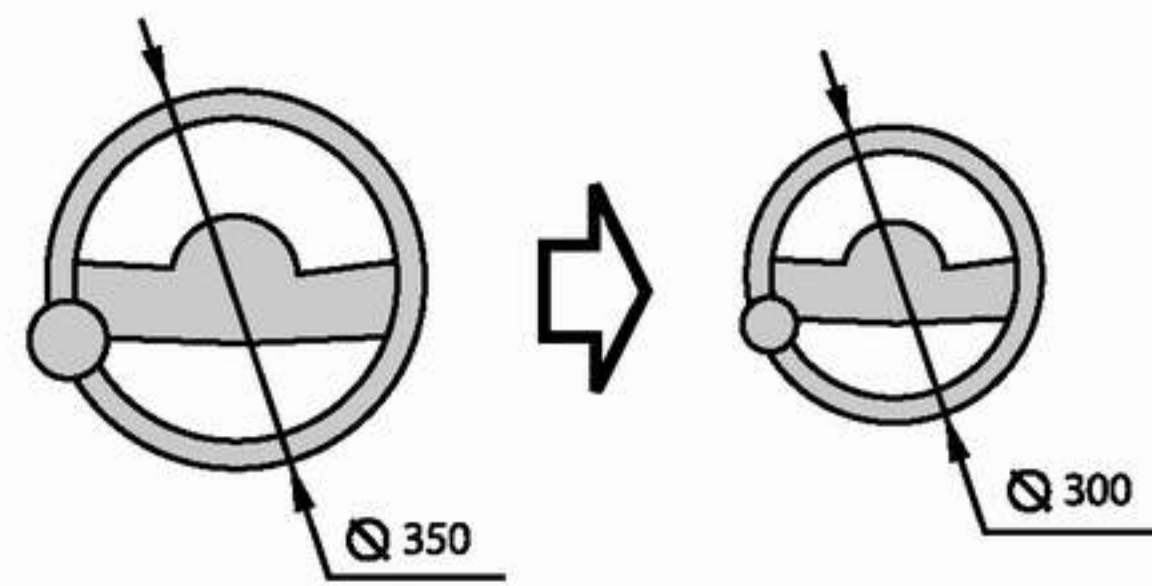
Relief valve design to decrease oil pressure impulse. The forward and reverse solenoid valve are integral, allow quick direction change. Enlarge oil filter given better oil cleanliness.

Surprisingly comfortable & Ergonomics (STD)

The Z series innovative ergonomic features were designed to help make operator more comfortable and, as result, more productive.

Smaller steering wheel

easy to operate and reduce operator's arm and shoulder's workload. Diameter reduce from 350mm to 300mm. The easy-handling steering wheel column with tilt adjustment helps to provide the ideal operating position and improve performance.



Adjustable steering wheel column

The easy-handling steering wheel column with tilt adjustment helps to provide the ideal operating position and improve performance.

Long operator assist grips

designed to meet the needs of varying operator sizes



Pedal type parking brake

Operator can use one foot to control parking brake without changing body position



Multifunctional LCD instrument panel

A large and easy-to-read multifunctional LCD panel is ergonomic designed for the operator. Which is design 40 degree on the right hand angle of the operator and help operator to read.

Internal hidden tilt cylinder

Internal hidden tilt cylinder avoids and reduces scrape possibility. Enlarge access space and given better appearance.

Hydraulic control

The ergonomic design of levers are provide the perfect positions for operator's hand without causing any extra stress.



Clear view and Enlarge operation space

excellent visibility and higher residual load capacity

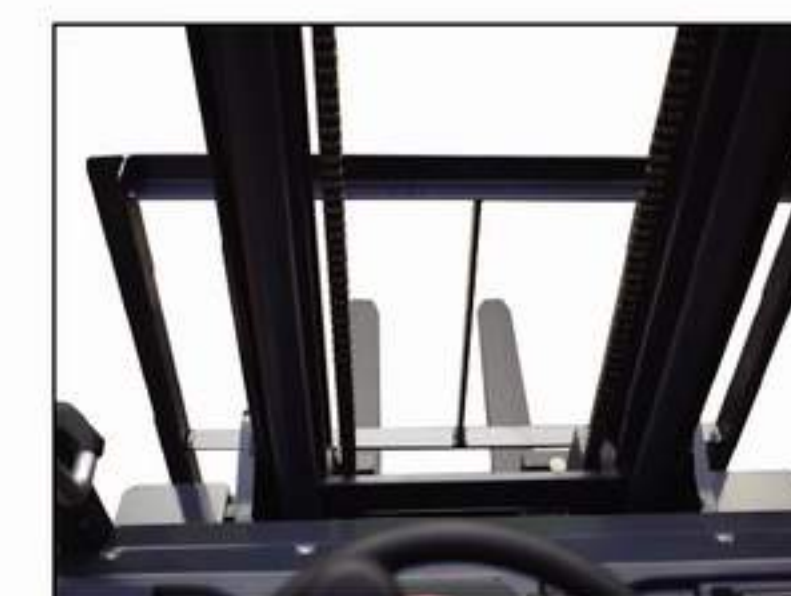
- Standard 150mm free lift
- Low profile front cowl
- Back type roller
- Hiding hose design
- New fork carriage



Upward visibility



Forward visibility



Fork tip visibility

Rear visibility



Enlarged space give great comfortable and Increasing productivity.

380mm wide -open foot space provides the comfortable foot activity space. It is about 30% wider than 7 series.



380mm & 30% wider



Z series

Surprisingly comfortable & Ergonomic (optional)

Tailift | Z series

Superior comfort cabin

New Z series is focusing on working environment and operator's comfort. The new cabin designed with no blind spot. It is a comfortable and safe work place for the operator. The Cabin's 360 degrees crystal view minimums the risk of damage to operator and goods. Wide range of optional equipments such as heater and radio in the interior lining of the overhead guard to meet all your needs. Quality components, an Insulated engine compartment, as well as the construction itself, ensure a low noise and vibration level.

Rubber suspended cabin:

- Operator comfort
- Vibration-free
- Functional arrangement
- Low noise level
- Ergonomic operation

Optional advanced hydraulics Minlever and joystick with armrest are all new design give more comfort to the operator.



Mini Levers

Radio

Radio

Integral sidsifter (option)

minimums truck movements for shipping and receiving loads and increase overall operator efficiency.



Easy operation and safety

easy-operating controls and a arrange of available options to give operators better, more efficient control and provide higher productivity.

Electric F/R control lever

- One-piece lever offers easy shifting between forward and reverse while keeping both hands on the wheel. It is easy to reach and fast to change direction.
- Enlarge light switch
Integrated with turn signal levers into the slim profile steer column for easy accessibility and simple operation.
- Low profile front cowl with sloped dashboard provide an unobstructed view in any position.



Integral heavy duty chassis

A strong no-bolt integral heavy duty chassis gives the driver 20% more protection from falling loads.

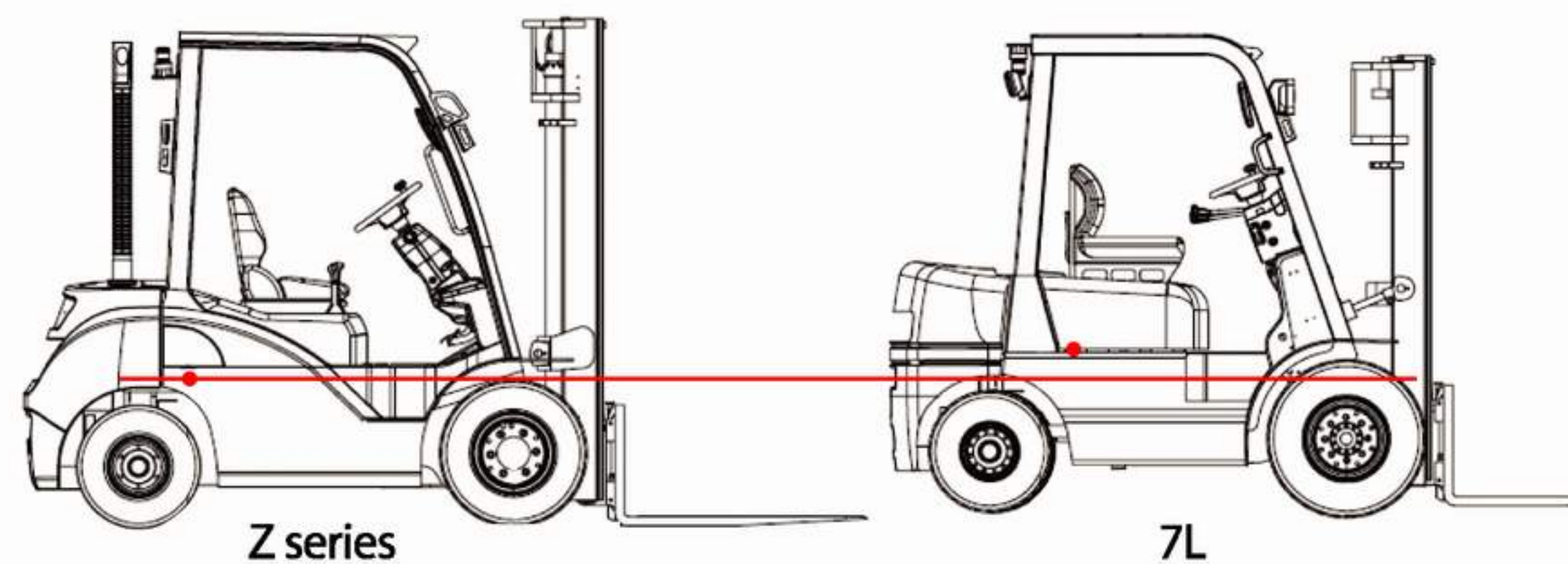
Hydraulic lock out system

Our new hydraulic lock out system option which automatically lock off all hydraulic functions and transmission drive if it has not detected the presence of the operator.



Low truck centre of gravity for best stability

Allow high residual capacities even at high lifts.



Hydraulic safety valve to absorb mast dropping speed, avoid the accident happen.

Low cost of ownership + World Class Dependability

+ Superior Serviceability

simplify mechanical linkage to reduce drive component wear and tear. Extend brake pedal and mechanical working life.

The new Hydraulic steering axle using high and low blockage fixed way to fix shaft, Grease nipples located on the contact points extend working life time and lower maintenance cost.

Easy maintenance + Good technical support

Fast & simplified Serviceability

- The new hood open angle has been enlarged to 70 degree.
- Removable side-plate on side of truck enlarge maintenance space
- Radiator top Cover No tool needed to open
- using steel piping, clean and tidy fitting , durable and easy to maintain

Experience Technical support

We offer extensive customer support and service for our entire range of material handling products – both past and present. Our experienced technicians are always on hand to help with product installation, maintenance and questions relating to Tailift material handling products.

Spare parts-Fast delivery, Flexible service, competitive pricing

Our spare part inventory warehouse containing nearly 40,000 items with over 150,000 product applications. If ordered before 15:00 h. Eastern Time , required spare parts can be delivered to you or to our service engineer the next day. Tailift utilizes our years of experience, fast delivery, flexible service and competitive pricing to make the maintenance of your forklift as cost-effective and painless as possible.

